



Sandgate III-P (BDT028) with WinCE(WM) & Linux

The SG3P is the recommended development platform for engineers who want to develop for portable devices, including terminal/IP phone technology, and various other types using WinCE, Windows Mobile, and Linux OS environments.

There are various advantages depending on the scope of your design strategy:

- It is possible to start evaluating immediately by porting the customer's application software, since the basic hardware/software functions are already equipped.
- Previously, software development has been done after completion of hardware, or via an unstable hardware prototype. But now, it is possible to start software development while the customer's hardware is under development. By using the SG3P platform, it is possible to shorten the entire development cycle.
- By using the SG3P in combination with Sophia's development and debugging products, a full featured hardware/software development environment can be achieved.
- The SG3P hardware resources can be re-used by the customer to develop their own products via the various SG3P built-in functions.

Main Features



*Note: Exact appearance may differ.

- Processor: Marvell PXA310 (624MHz)
- Memory: Flash ROM 256MB and DDR RAM 128MB
- Camera: 1.3M pixel CMOS module
- LCD: 2.2 inch TFT LCD QVGA(65536 colors)
- W-SIM slot
- USB MiniAB connector
- MicroSD slot
- Infrared rays communication: IrDA
- WLAN:IEEE 802.11b/g
- Bluetooth
- Sensor: Magnetism sensor, 3-axis acceleration sensor
- 4-way navigation button
- Key lighting
- Sound generator
- Micro speaker
- Receiver
- Microphone
- Headset jack
- 3 color LED
- Vibrator
- Lithium battery: 3.7V 1300mAh
- Charge from USB board or Debug board AD adaptor
- AC adaptor: Connect with Debug Board
- Enforcement reset switch
- Debug board (JTAG, Serial, LAN)

NOTES:

- W-SIM (OPTIONAL). Please inquire for details.
- The specifications for SG3P may vary.
- Products and company names mentioned are their own registered trademarks for each company mentioned.
- Some drivers may not be available from Sophia Systems
- The final SG3P product may vary.

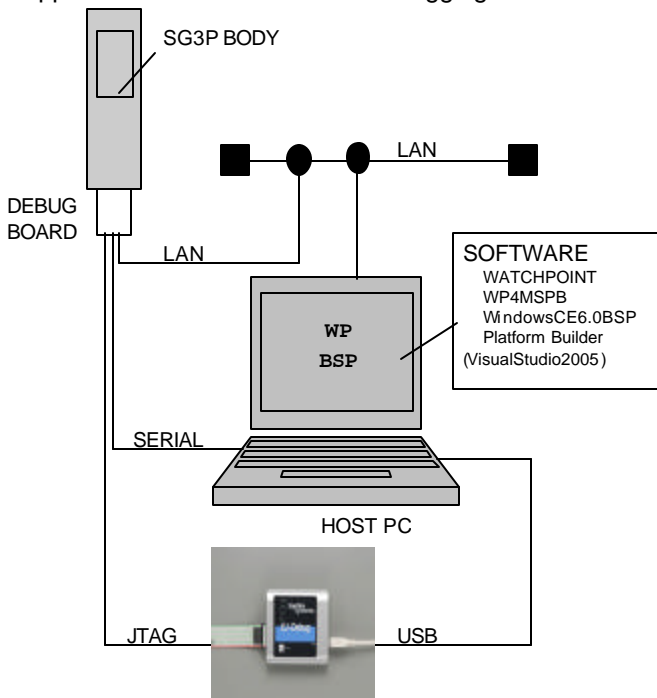
Configurations

<p>Package Content</p> <ul style="list-style-type: none"> - Sandgate-3P Ref. H/W - Debug board - CD-ROM - Battery - USB cable - AC adaptor - Serial cable - LAN cable 	<p>CD-ROM contents :</p> <ul style="list-style-type: none"> - Design Information - Manuals & documentation - WindowsCE 6.0 SDK - Linux SDK *1 <p>*1 contact Sophia Systems.</p>	<p>Basic specification :</p> <ul style="list-style-type: none"> - OS: Windows Embedded CE 6.0 - LCD, Browser, Media player - Binary image - W-SIMTELA Application: sound source, Microspeaker, Receiver, Mic, Key-light, 4-way navigation, button. - I/O: MicroSD, USB, *1 <p>*1 Soon to be corresponded.</p>
--	--	---

Design Information - Schematic, Parts List, CPLD data in source and binary, BSP Installation Guide, User's manual

Develop. & Debugging environment

Supports Middle-ware & Driver Debugging.



WindowsCE 6.0 BSP Contents

- Kernel: Part of OAL
- Boot loader (EBOOT)
- Display driver: 240 X 320
- Audio driver (binary)
- Ethernet driver (for debug)
- Serial driver: For debug (STUART)
- USB driver (USB2.0 Client, USB1.1 Host)
- SD card driver
- Wireless LAN driver (binary) *2
- W-SIM driver (binary) (voice call) (binary) *2

*Contact Sophia Systems for details of Linux Version

*2 In correspondence

LINUX BSP Contents

* Please inquire for details about the Linux BSP and Kernel debugging features.

NOTES:

- Drivers for Camera, Bluetooth, Sensor, and Headset not included.
- BSP is an optional feature (U60409). The BSP is included in the "Solution Set" package.
- Partly device/driver information may not be released unless the customer can confirm the proper NDA with the device manufacturer.
- Platform Builder software is obtained from Microsoft.

* All brands and product names are trademarks or register trademarks of their respective companies.

* All configurations are subject to change without notice.

Sophia Systems Co., Ltd.

URL: <http://www.sophia-systems.com>

Email: intsales@sophia-systems.com

Ordering Information :

BDT028	Sandgate3-P
U60409	SG3P WECE6 BSP
EJD1301E	E J-Debug P XA 320,310,300 JTAG
U43414	WP4MSPB2 PXA plug-in