

**Flash ROM Writer for Intel's Monahans\* platform family**

**EJ-Writer**

EJ-Writer is the first ROM writer that has the ability to write directly into Flash ROM while already installed on the user's board via the JTAG port. Its small size (Width 86mm X 101mm, Height 23mm) and versatility make it a perfect solution for use in the field or on the manufacturing line.



- Supports Intel's Monahans\* platform family
- Supports 20-pin JTAG interface
- Special writer for Flash memory
- Useful for field maintenance such as upgrading the targets
  - Powered by USB bus (No AC adapter required)
  - Small size(86mm X 101mm X 23mm)
- Automatic script execution via the WRITE button
  - Useful for automatic writing / upgrading in mass production
- Writer software is included (Windows 98/Me/2000/XP platforms)
- USB interface for high-speed communication with host computer

**Specifications**

<b>Supported CPU</b>	Intel's Monahans* platform family		
<b>Power Supply</b>	Vcc 3.0V to 3.6V		
<b>Flash Memory Write Capability</b>	<ul style="list-style-type: none"> <li>- Memory DUMP capability</li> <li>- Data download from files</li> <li>- More than 180 Flash memories are supported</li> <li>- Flash memory not included in the supported list may be supported upon request</li> <li>- By specifying the batch file to write and using the write button on the unit (hardware) or via. software allows for easy writing.</li> <li>- Block erase capability</li> </ul> <table style="width: 100%; border: none;"> <tr> <td style="vertical-align: top;"> <ul style="list-style-type: none"> <li>● Execution                             <ul style="list-style-type: none"> <li>- Program execution</li> <li>- Forced break</li> <li>- Reset</li> <li>- Batch program execution</li> </ul> </li> </ul> </td> <td style="vertical-align: top;"> <ul style="list-style-type: none"> <li>● Memory                             <ul style="list-style-type: none"> <li>- Download</li> <li>- Upload</li> <li>- Fill up/check/copy of memory</li> <li>- Clear/fill up/download of Flash memory</li> </ul> </li> </ul> </td> </tr> </table>	<ul style="list-style-type: none"> <li>● Execution                             <ul style="list-style-type: none"> <li>- Program execution</li> <li>- Forced break</li> <li>- Reset</li> <li>- Batch program execution</li> </ul> </li> </ul>	<ul style="list-style-type: none"> <li>● Memory                             <ul style="list-style-type: none"> <li>- Download</li> <li>- Upload</li> <li>- Fill up/check/copy of memory</li> <li>- Clear/fill up/download of Flash memory</li> </ul> </li> </ul>
<ul style="list-style-type: none"> <li>● Execution                             <ul style="list-style-type: none"> <li>- Program execution</li> <li>- Forced break</li> <li>- Reset</li> <li>- Batch program execution</li> </ul> </li> </ul>	<ul style="list-style-type: none"> <li>● Memory                             <ul style="list-style-type: none"> <li>- Download</li> <li>- Upload</li> <li>- Fill up/check/copy of memory</li> <li>- Clear/fill up/download of Flash memory</li> </ul> </li> </ul>		

## Configuration

---

### Hardware

E/J Writer for Intel's Monahans\* consists of E/J Writer and USB host interface.

(E/J Writer for Intel's Monahans\* can not be used for other CPU)

### Software

Watchpoint®, a writer software for Windows 98/Me/2000/XP, is included with E/J Writer.

**Media:** CD-ROM

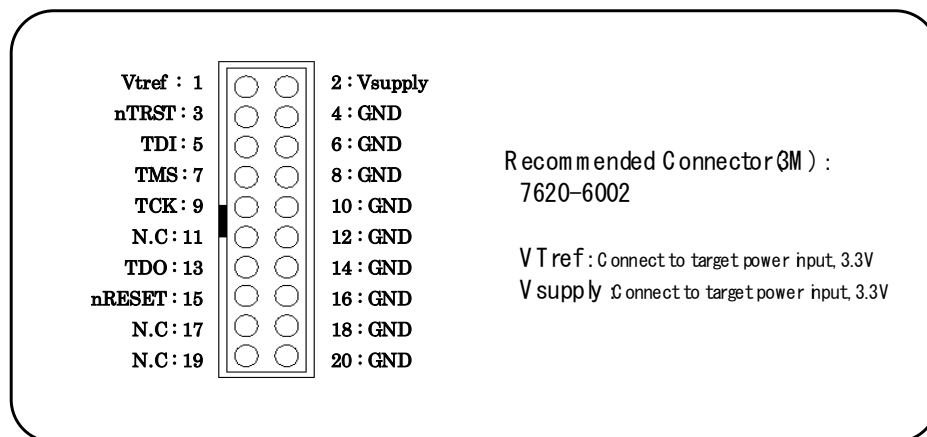
### Read-in Object

The following compilers are supported for the objects to write into Flash memory.

- Intel C++
- ARM ADS

## Target Connection

---



20-pin JTAG Header Connector Pin Assignment (Top View)

## Ordering Information

---

Part No.	Description
EJW1300E	E/J Writer for Intel's Monahans* and Watchpoint®, writer software for Windows

Note: Monahans = codename

### \* System Requirements

- OS: Windows 98/Me/2000/XP; Memory: Minimum 32Mbytes (64 Mbytes recommended); Hard Disk: 20Mbytes for installation.
- \* All configurations are subject to change without notice.
- \* All other brands and product names are trademarks or registered trademarks of their respective companies.