

EJ-Debug for PXA3xx



- Supports Marvell®'s PXA3xx application processor series (codenamed Monahans)
- Supports 20-pin JTAG interface
- Supports wireless MMX®
- 2 hardware breakpoints can be set for address and status conditions
- Unlimited software breakpoints
- Branch trace capability
- Download to Flash Memory capability
- View and modify coprocessors
- View and modify the internal peripheral registers
- Useful for field debugging or maintenance
 - Powered by USB bus(No AC adapter required)
 - Small size(86mm X 101mm X 23mm)
- Auto-script execution by BATCH button on the hardware unit
 - perfect use in auto-verification of the target on mass production or for updating new versions
- USB host interfaces for high-speed communication with host computer
- Sophia's high-level language debugger, Watchpoint®, is included with all Sophia Systems emulators (Windows®2000/XP platforms)

Specifications

Target CPU	Marvell®'s PXA3xx (codenamed Monahans) application processor series
Memory and I/O	Entire space is available to user
Interrupts	Both internal and external interrupts are available to user
Breakpoints and Break Options	<p>Execution address break options:</p> <ul style="list-style-type: none"> ● 2 hardware breakpoints*¹ <ul style="list-style-type: none"> Execution instruction address, memory access can be specified. <i>Note 1: When Step Over, Step Out, Come to function is in use, release 1 hardware breakpoint.</i> ● Unlimited software breakpoints <p>Other break options:</p> <ul style="list-style-type: none"> ● Forced break from Debug Monitor
Branch Trace	<p>To display the record of instruction execution is possible.</p> <ul style="list-style-type: none"> ● Record of execution from the breakpoint ● Record of execution until break
Flash Memory	<p>Download to target external Flash memory</p> <p>* NAND Flash will be additionally supported upon customer request.</p>

Configuration

The EJ-Debug for Marvell's PXA3xx series provides a high level of software debugging from your PC/AT or notebook computer.

Hardware

A EJ-Debug system for Marvell's PXA3xx consists of the Probe Set with USB host interface.
(EJ-Debug for PXA3xx can not be used for other CPUs)

Software

Watchpoint®, a high-level language debugger for Windows®2000/XP, is included with the EJ-Debug.

Media:

CD-ROM

Supported Tool Chains:

Watchpoint supports the following compilers and OS:

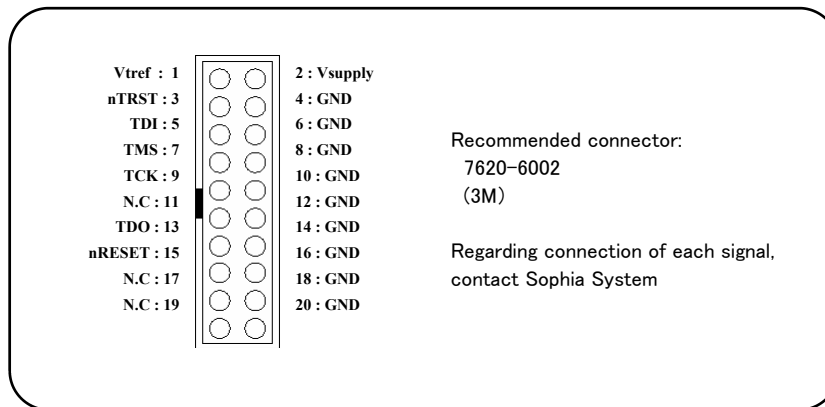
Compiler:

Intel C++ Software Development Tool Suite
ARM ADS, Real View

Supported OS:

Windows CE, Linux

Target ICE Connections



20-pin JTAG Interface Connector Pin Assignment (Top View)

Ordering Information

Part No.

EJD1301E

Description

Probe Set, EJ-Debug for PXA3xx with USB host interface and Watchpoint® debugger for Windows®2000/XP

System requirements for Watchpoint® Debugger:

OS: Windows2000/XP

Hard Disk: 25 Mbytes for installation

Memory: 64 Mbytes+ recommended)

Watchpoint is a registered trademark of Sophia Systems Co., Ltd.

Windows is a registered trademark of Microsoft Corporation.

All other brands and product names are trademarks or registered trademarks of their respective companies. All configurations are subject to change without notice.



Sophia Systems Co., Ltd.

URL: <http://www.sophia-systems.com>