

EJ-Debug for MeP



- ❑ Supports Toshiba MeP
- ❑ 2 hardware breakpoints(1 for address, 1 for data)
- ❑ Unlimited software breakpoints
- ❑ Download to Flash Memory capability
- ❑ Supports the multiple MeP modules
- ❑ Supports the optional instruction
- ❑ Supports the VLIW mode and the core mode
- ❑ Useful for field debugging or maintenance
 - Powered by USB bus(No AC adapter required)
 - Small size(86mm X 101mm X 23mm)
- ❑ Auto-script execution by BATCH button on the hardware unit
 - perfect use in auto-verification of the target on mass production or for updating new versions
- ❑ USB host interfaces for high-speed communication with host computer
- ❑ Sophia's high-level language debugger, Watchpoint®, is included with all Sophia Systems emulators (Windows®98/Me/2000/XP platforms)

Specifications

Target CPU	MeP core
Target Vcc	Vcc 1.8 to 3.6 V
Memory and I/O	Entire space is available to user
Interrupts	Both internal and external interrupts are available to user
Breakpoints and Break Options	<p>Execution address break options:</p> <ul style="list-style-type: none"> • 2 hardware breakpoints <ul style="list-style-type: none"> Execution instruction address: 1 point, data access: 1 point • Unlimited software breakpoints ▪ Other break options: Forced break from Debug Monitor <p><i>Note 1: In the area where Software breakpoints are not available, when Step Over, Step Out, or Come to function is in use, release 1 hardware breakpoint.</i></p>
Flash Memory	Download to target external Flash memory
Others	Pins are available to output Reset in Low level by the Reset command from the debugger

Configuration

The EJ-Debug for MeP provides a high level of software debugging from your PC/AT or notebook computer.

Hardware

An EJ-Debug for MeP system consists of the MeP Probe Set with USB host interface.
(EJ-Debug for MeP can not be used for other CPUs)

Supported Tool Chains:

Watchpoint supports the following compilers and supported OS:

Compiler:
GNU

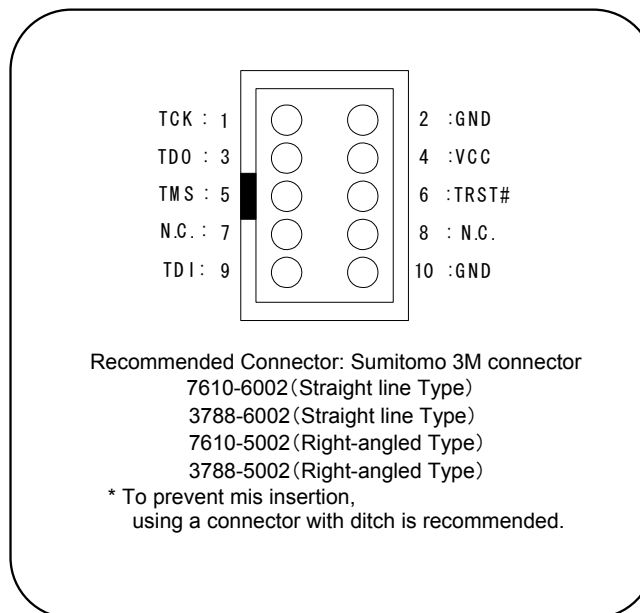
Software

Watchpoint®, a high-level language debugger for Windows®98/Me/2000/XP, is included with the EJ-Debug for MeP.

Media:

CD-ROM

Target ICE Connections



DIME Interface Connector Pin Assignment (Top View)

Ordering Information

Part No.	Description
EJD6000E	Probe Set, EJ-Debug for MeP with USB host interface and Watchpoint® MeP debugger for Windows®98/Me/2000/XP

System requirements for Watchpoint® Debugger:

OS: Windows98/Me/2000/XP **Memory:** 32 Mbyte (64 Mbyte recommended)
Hard Disk: 20 Mbyte for installation

Watchpoint is a registered trademark of Sophia Systems Co., Ltd.
Windows is a registered trademark of Microsoft Corporation.

All other brands and product names are trademarks or registered trademarks of their respective companies. All configurations are subject to change without notice.