

Best platform for **In-Vehicle Infotainment** development.
 Corresponds various functions by exchange module.



Black Creek development kit

Equipped with Intel® Atom™ Processor E660

Linux (MeeGo)/ Android

RoHS



Product#: BDI004

Intel® Atom™ E660	GPS module
DDR2 512MB	HDD320GB
5inch LCD	WSVGA1024 × 600
Extension connecto	Touch panel
USB	SD/MicroSD
Video-IN	Sensor
SATA (Gen II)	Sound I/O

Android is SDK of TurboSystems.

Features

- 1** Able to develop application on Atom E660 at once

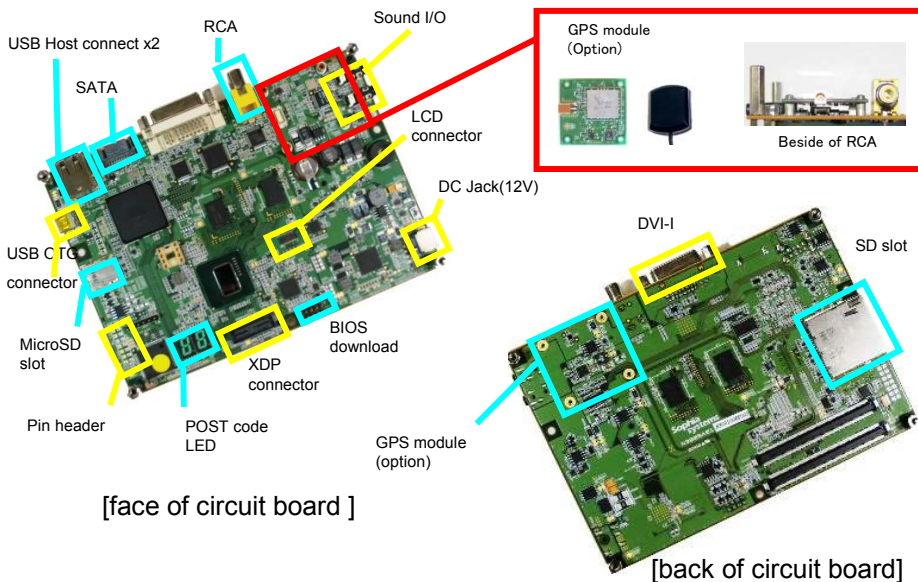
Includes Linux bootable HDD and Linux environment.
 Able to develop application at once when separate OS boot up process. (Finished MeeGo setup when shipout.)
- 2** Able to build [prototype] at once

Equipped with extension connector as UART, I2S, PCM etc. Moreover, includes circuit diagram, parts list etc, therefore, able to develop original prototype at once.
- 3** Shorten the process by parallel to develop H/W and S/W

Able to start S/W development before finished H/W development by using this platform. Able to shorten the process by parallel to develop both H/W and S/W.
 For more engineers can use this platform, we cut down the price and make it works more effective.
- 4** Custom Entrusted development based on the product

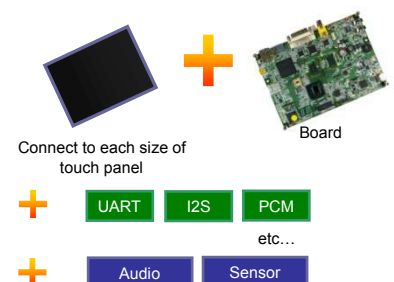
Sophia Systems can support entrusted development by various process. Circuit design, printed circuit design, EMC, parts, board, trail knowhow, body design, mass production manufacturing etc, as base platform is already completed, therefore, it is able to save time to release more quickly.

Main interface



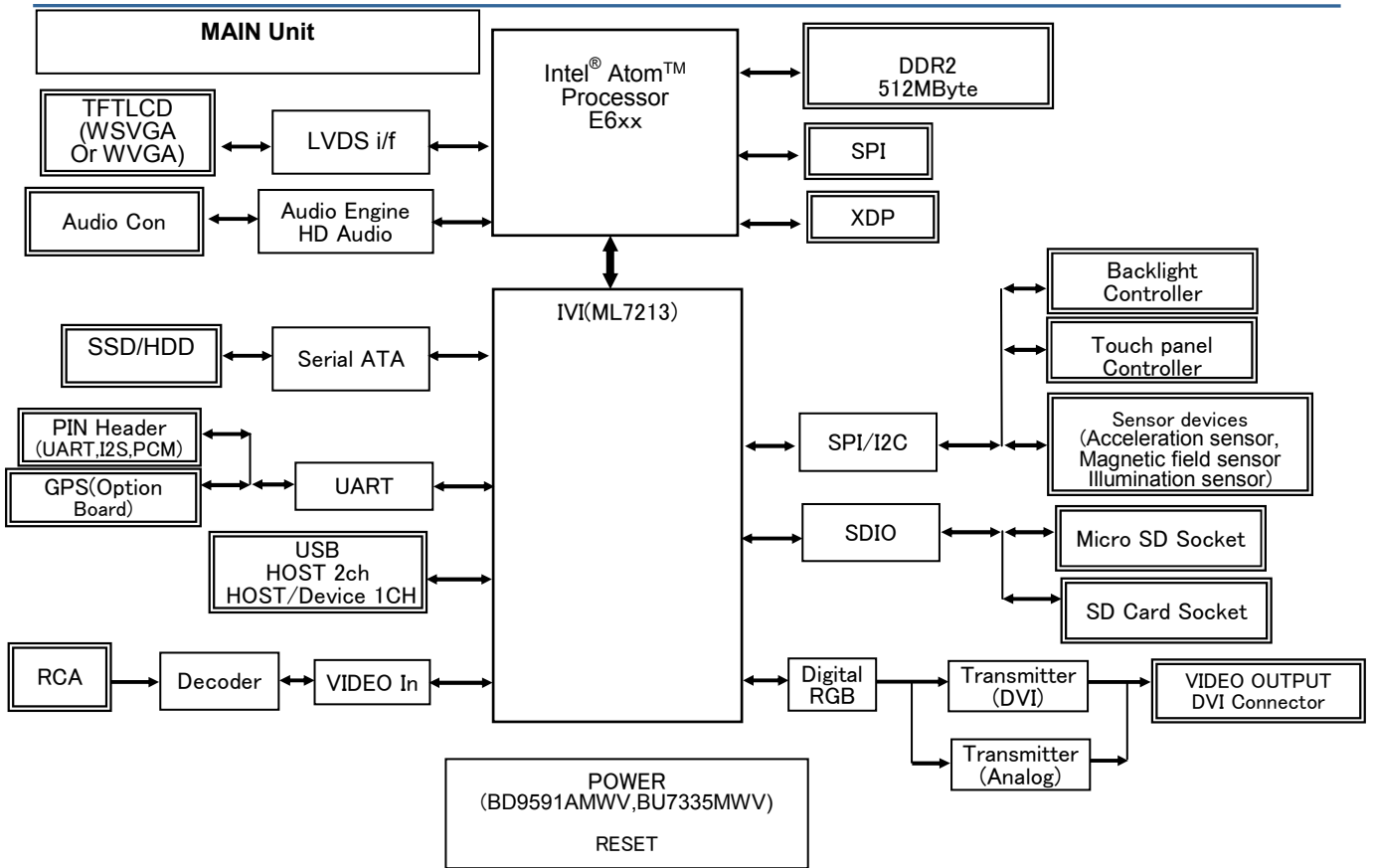
Custom support

Able to release various product quickly by using this base platform. This platform board is equipped with video display, voice communication, touch panel LCD, interface etc. and possible for various development.



- Able to connect with each size of touch panel
- Evaluate peripheral I/O, module
- Customize audio, sensor, etc. as your image..

Block figure



H/W specification

CPU	Intel® Atom™ Processor E660	
IOH	IVI (LAPIS Semiconductor)	
Memory	DDR2-800 SDRAM 512MB 400MHz	
LCD	Display type	5 inch color TFT LCD
	Resolution	WSVGA(1024 x 600 dot)
Touch panel	Resistive touch panel	
Indicated function	LED	
GPS module	Option	
Sen	Aacceleration, Geomagnetic, Illuminance sensor	
I/F	Card slot	SD card slot, micro SD slot
	USB	HOST 2ch (A connector), OTG, 1ch mini AB connector)
Extension connector	PCIe 3(1Lane)	
SATA	Serial ATA connector	
VIDEO input	RCA connector	
VIDEO output	DVI connector	
Sound	Input	MIC-IN Jack
	Output	Line Out Jack
	Pin header	I2S/PCM/UART interface
Debug	XDP connector	
Power	External power	DC12V (±5%)
Board size	W155mm×D110mm×H44mm. (exclude projection part)	
GPS module	Option	
Communication	UART	
Power	5.0V (±5%)	
Board size	W35mm×D35mm	
Chip set	Module equipped with SiRF STARIII GSC3eLPx	
Output data format	NMEA	
Accessory	GPS antenna, CD-ROM manual	

RoHS

Sophia systems

Caution

● All brands and product names are trademark or register trademarks of their respective companies

● All configurations are subject to change without notice.

Sophia Systems Co.,Ltd

Tel: +81-44-989-7253

E-MAIL intsales@sophia-systems.co.jp

www.sophia-systems.com

Composition

● H/W



Main board
AC adaptor

● Linux software



(MeeGo IVI)

● Design information

Manual, circuit diagram, parts list

Item	v1.01	v1.2.0
MicroSD card	○	○
SD	○	○
LCD	○	○
USB HOST A	○	○
USB HOST B	○	○
SATA connector	○	○
USB OTG Host	○	○
USB OTG Client	○	○
Sound O/P	○	○
Sound I/P	○	○
Touch panel	○	○
Video I/P	○	○
Magnetometric sensor	○	○
DVI	○	○

Provide parts of binary

Option development environment

● GPS board VK0063



For development tools equipped with GPS module.

[Composition]

Module board, GPS antenna, CD-R

● SCD001

EJST JTAG for debugging H/W and S/W



Brush-up BSP source for prototype development

JTAG H/W, AC adaptor

Please inquire price

©WATCHPOINT debugger [SCM0910E]
©Support Service [SSSEN]

©Linux WP add-in soft for Linux loadable kernel module [U42499E]