

### EJ-Writer for FR-V

EJ-Writer is the first ROM writer that has the ability to write directly into Flash ROM while already installed on the user's board via the JTAG port. Its small size (Width 86mm X 101mm, Height 23mm) and versatility make it a perfect solution for use in the field or on the manufacturing line.



- Supports Fujitsu FR-V series
- Supports DSU debugging interface
- Special writer for Flash memory
- Useful for field maintenance such as upgrading the targets
  - Powered by USB bus (No AC adapter required)
  - Small size(86mm X 101mm X 23mm)
- Automatic script execution via the WRITE button
  - Useful for automatic writing / upgrading in mass production
- Writer software is included (Windows 98/Me/2000/XP platforms)
- USB interface for high-speed communication with host computer

### Specifications

<b>Supported CPU</b>	FR401A(MB93401A), FR403(MB93403), FR405(MB93405), FR423(MB93423) FR461(MB93461), FR555(MB93555), FR400 series, FR550 series * Future Support: FR475(MB93475)
<b>Power Supply</b>	Vcc 3.3V
<b>Flash Memory Write Capability</b>	<ul style="list-style-type: none"> <li>- Memory DUMP capability</li> <li>- Data download from files</li> <li>- More than 180 Flash memories are supported</li> <li>- Flash memory not included in the supported list may be supported upon request</li> <li>- By specifying the batch file to write and using the write button on the unit (hardware) or via. software allows for easy writing.</li> <li>- Block erase capability                             <ul style="list-style-type: none"> <li>● Execution                                     <ul style="list-style-type: none"> <li>- Program execution</li> <li>- Forced break</li> <li>- Reset</li> <li>- Batch program execution</li> </ul> </li> <li>● Memory                                     <ul style="list-style-type: none"> <li>- Download</li> <li>- Upload</li> <li>- Fill up/check/copy of memory</li> <li>- Clear/fill up/download of Flash memory</li> </ul> </li> </ul> </li> </ul>
<b>Supported Flash manufacturer</b>	Renesas Technology, Intel, AMD, Fujitsu, MICRONICS, Sharp, Toshiba, NEC, Sanyo, ATMEL, SST, ST, OKI, SPANSION, EON * Please contact us regarding any other Flash that is not listed in the above.

## Configuration

---

### Hardware

E/J Writer for FR-V consists of E/J Writer and USB host interface.

(E/J Writer for FR-V can not be used for other CPU)

### Software

Watchpoint<sup>®</sup>, a writer software for Windows 98/Me/2000/XP, is included with E/J Writer.

### Media:

CD-ROM

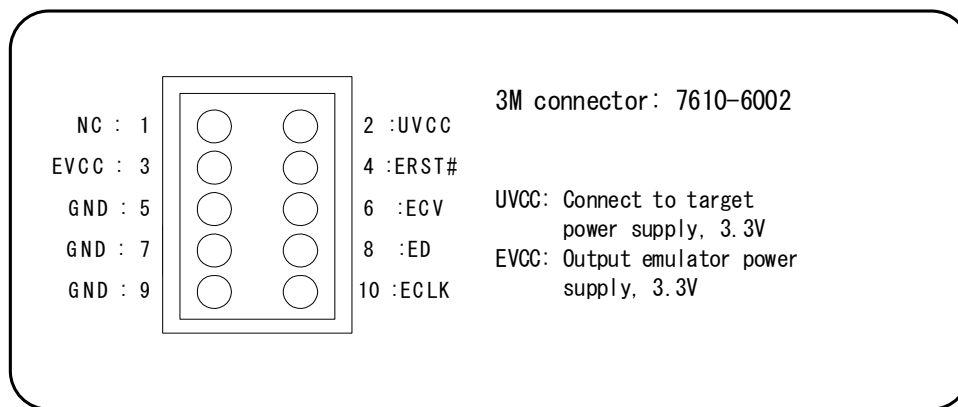
### Read-in Object

The following compilers are supported for the objects to write into Flash memory.

- Fujitsu: SOFTUNE V5, V6 REALOS
- Ax: axLinux gcc
- Redhad: uClinux gcc

## Target Connection

---



10-pin DSU connector pin assignment (Top View)

## Ordering Information

---

Part No.	Description
EJW5000E	E/J Writer for FR-V and Watchpoint <sup>®</sup> , writer software for Windows (USB Interface)

### \* System Requirements

OS: Windows 98/Me/2000/XP; Memory: Minimum 32Mbytes (64 Mbytes recommended); Hard Disk: 20Mbytes for installation.

\* All configurations are subject to change without notice.

\* All other brands and product names are trademarks or registered trademarks of their respective companies.