

EJ-Debug for FR-V



- ❑ Supports Fujitsu FR-V series
- ❑ Supports DSU system debugging
- ❑ View and modify the internal peripheral registers
- ❑ 6 hardware breakpoints (4 for instruction break, 2 for data break)
- ❑ Unlimited software breakpoints
- ❑ Download to Flash Memory capability
- ❑ Useful for field debugging or maintenance
 - Powered by USB bus(No AC adapter required)
 - Small size(86mm X 101mm X 23mm)
- ❑ Auto-script execution by BATCH button on the hardware unit
 - perfect use in auto-verification of the target on mass production or for updating new versions
- ❑ USB host interfaces for high-speed communication with host computer
- ❑ Sophia's high-level language debugger, Watchpoint®, is included with all Sophia Systems emulators (Windows®98/Me/2000/XP platforms)

Specifications

Target CPU	FR401A(MB93401A), FR403(MB93403), FR405(MB93405), FR423(MB93423) FR461(MB93461), FR555(MB93555), FR400 series, FR550 series, FR577*1 *1 = for a more specific field
Target Vcc	Vcc 3.3 V
Memory and I/O	Entire space is available to user
Interrupts	Both internal and external interrupts are available to user
Breakpoints and Break Options	Execution address break options: <ul style="list-style-type: none"> • 6 hardware breakpoints(4 points for instruction break, 2 points for data break) • Unlimited software breakpoints(Not available for ROM area) Other break options: <ul style="list-style-type: none"> ▪ Forced break from Debug Monitor
Branch Trace	Records Branch instruction history Specify Free run and trigger all
Flash Memory	Download to target external Flash memory
Cache Profile	Measures cache hit rate

Configuration

The EJ-Debug for FR-V provides a high level of software debugging from your PC/AT or notebook computer.

Hardware

An EJ-Debug for FR-V system consists of the FR-V Probe Set with USB host interface.
(EJ-Debug for FR-V can not be used for other CPUs)

Software

Watchpoint®, a high-level language debugger for Windows®98/Me/2000/XP, is included with the EJ-Debug for FR-V.

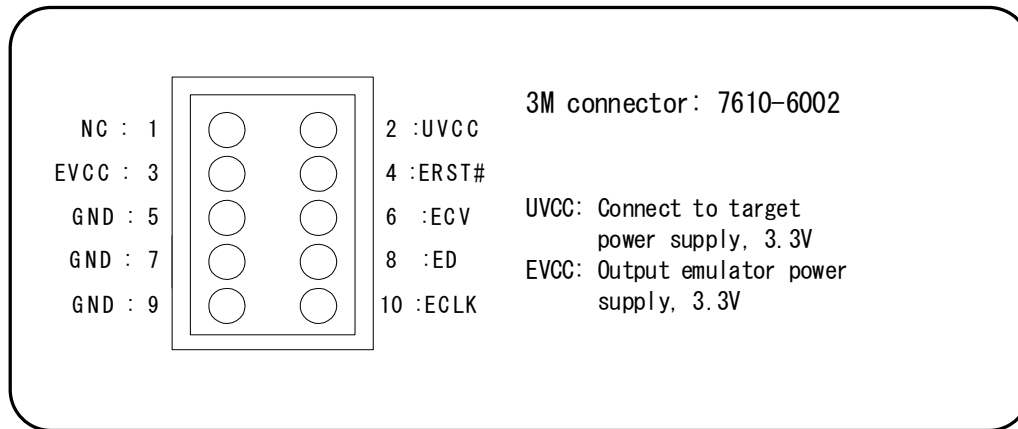
Media:

CD-ROM

Supported Tool Chains:

Watchpoint supports the following compilers:
- Fujitsu: SOFTUNE V5, V6 REALOS
- Ax : axLinux gcc
- Redhat: uClinux gcc

Target ICE Connections



10-pin DSU connector pin assignment(Top View)

Ordering Information

Part No.	Description
EJD5000E	Probe Set, EJ-Debug for FR-V with USB host interface and Watchpoint® FR-V debugger for Windows®98/Me/2000/XP

System requirements for Watchpoint® Debugger:

OS: Windows98/Me/2000/XP **Memory:** 32 Mbyte (64 Mbyte recommended)
Hard Disk: 20 Mbyte for installation

Watchpoint is a registered trademark of Sophia Systems Co., Ltd.
Windows is a registered trademark of Microsoft Corporation.

All other brands and product names are trademarks or registered trademarks of their respective companies. All configurations are subject to change without notice.