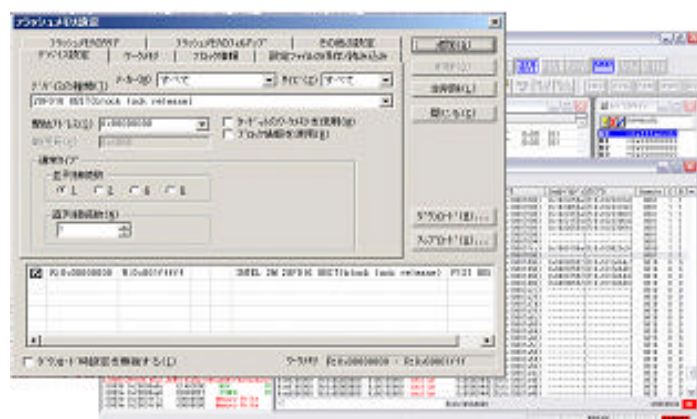


# WATCHPOINT Debugger for EJ-SCT PXA JTAG



- ❑ Supports Marvell®'s PXA3xx application processor series (codenamed Monahans)
- ❑ Supports 20-pin JTAG interface
- ❑ Supports wireless MMX®
- ❑ 2 hardware breakpoints can be set for address and status conditions
- ❑ Unlimited software breakpoints
- ❑ Branch trace capability
- ❑ Download to Flash Memory capability
- ❑ View and modify coprocessors
- ❑ View and modify the internal peripheral registers
- ❑ Useful for field debugging or maintenance
  - Powered by USB bus(No AC adapter required)
  - Small size(86mm X 101mm X 23mm)
- ❑ Auto-script execution by BATCH button on the hardware unit
  - perfect use in auto-verification of the target on mass production or for updating new versions
- ❑ USB host interfaces for high-speed communication with host computer
- ❑ Sophia's high-level language debugger, Watchpoint®, is included with all Sophia Systems emulators (Windows®2000/XP platforms)

## Specifications

<b>Target CPU</b>	Marvell®'s PXA3xx (codenamed Monahans) application processor series
<b>Memory and I/O</b>	Entire space is available to user
<b>Interrupts</b>	Both internal and external interrupts are available to user
<b>Breakpoints and Break Options</b>	<p>Execution address break options:</p> <ul style="list-style-type: none"> <li>● 2 hardware breakpoints<sup>*1</sup></li> </ul> <p>Execution instruction address, memory access can be specified.</p> <p><i>Note 1: When Step Over, Step Out, Come to function is in use, release 1 hardware breakpoint.</i></p> <ul style="list-style-type: none"> <li>● Unlimited software breakpoints</li> </ul> <p>Other break options:</p> <ul style="list-style-type: none"> <li>● Forced break from Debug Monitor</li> </ul>
<b>Branch Trace</b>	<p>To display the record of instruction execution is possible.</p> <ul style="list-style-type: none"> <li>● Record of execution from the breakpoint</li> <li>● Record of execution until break</li> </ul>
<b>Flash Memory</b>	<p>Download to target external Flash memory</p> <p>* NAND Flash will be additionally supported upon customer request.</p>

## Configuration



CD-ROM



JTAG CABLE types:  
SCP7500

### Supported Tool Chains:

Watchpoint supports the following compilers and OS:

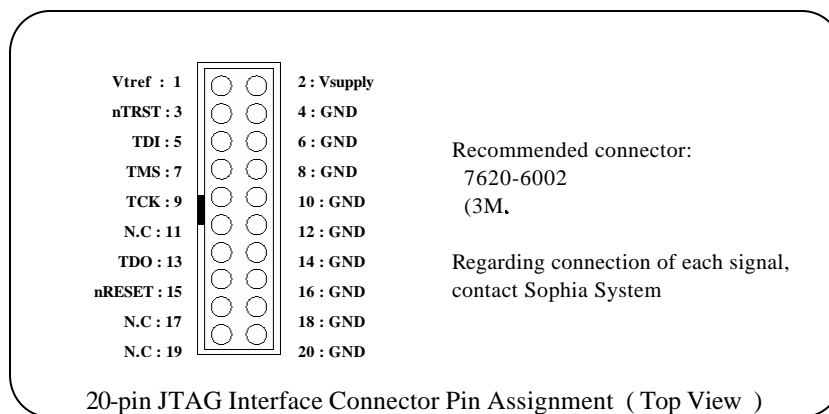
#### Compiler:

Intel C++ Software Development Tool Suite  
ARM ADS, Real View

#### Supported OS:

Windows CE, Linux

## Target ICE Connections



## Ordering Information

CUSTOMER should PERPARE		Necessary items for Debugger System		
HOST PC	CONNECT WITH PC	JTAG EMULATOR (Hardware)	WATCHPOINT Debugger (software)	SUPPORT SERVICE (Software updates)
DOS/V & NOTE PC (IBM PC/AT & COMPATIBLE MACHINE)	USB2.0/1.1 CONNECTION	SCD001 EJ-SCT	SCM9100E WP DBG for EJS PXA	SSS001 Sophia Support Service

### System requirements for Watchpoint® Debugger:

**OS:** Windows2000/XP **Memory:** 64 Mbytes+ recommended)  
**Hard Disk:** 25 Mbytes for installation

Watchpoint is a registered trademark of Sophia Systems Co., Ltd.

Windows is a registered trademark of Microsoft Corporation.

All other brands and product names are trademarks or registered trademarks of their respective companies. All configurations are subject to change without notice.



Sophia Systems Co., Ltd.

URL: <http://www.sophia-systems.com>