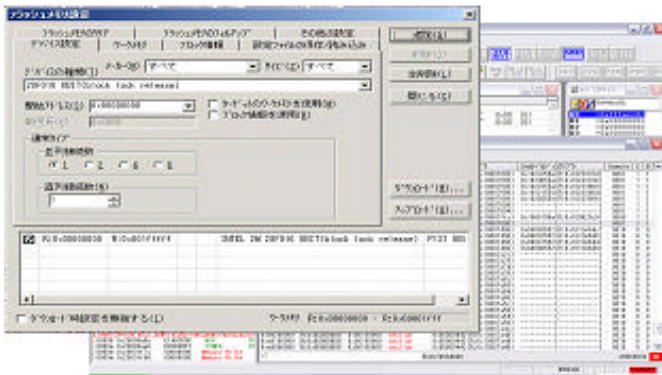


WATCHPOINT Debugger for EJ-SCT FR-V JTAG



- Supports Fujitsu FR-V series
- Supports DSU system debugging
- View and modify the internal peripheral registers
- 6 hardware breakpoints (4 for instruction break, 2 for data break)
- Unlimited software breakpoints
- Download to Flash Memory capability
- Useful for field debugging or maintenance
 - Powered by USB bus(No AC adapter required)
 - Small size(86mm X 101mm X 23mm)
- Auto-script execution by BATCH button on the hardware unit
 - perfect use in auto-verification of the target on mass production or for updating new versions
- USB host interfaces for high-speed communication with host computer
- Sophia's high-level language debugger, Watchpoint[®], is included with all Sophia Systems emulators (Windows[®]98/Me/2000/XP platforms)

Specifications

Target CPU	FR401A(MB93401A), FR403(MB93403), FR405(MB93405), FR423(MB93423) FR461(MB93461), FR555(MB93555), FR400 series, FR550 series, FR577 ^{*1} ^{*1} = for a more specific field
Target Vcc	Vcc 3.3 V
Memory and I/O	Entire space is available to user
Interrupts	Both internal and external interrupts are available to user
Breakpoints and Break Options	Execution address break options: <ul style="list-style-type: none"> • 6 hardware breakpoints(4 points for instruction break, 2 points for data break) • Unlimited software breakpoints(Not available for ROM area) Other break options: <ul style="list-style-type: none"> • Forced break from Debug Monitor
Branch Trace	Records Branch instruction history Specify Free run and trigger all
Flash Memory	Download to target external Flash memory
Cache Profile	Measures cache hit rate

Configuration



CD-ROM

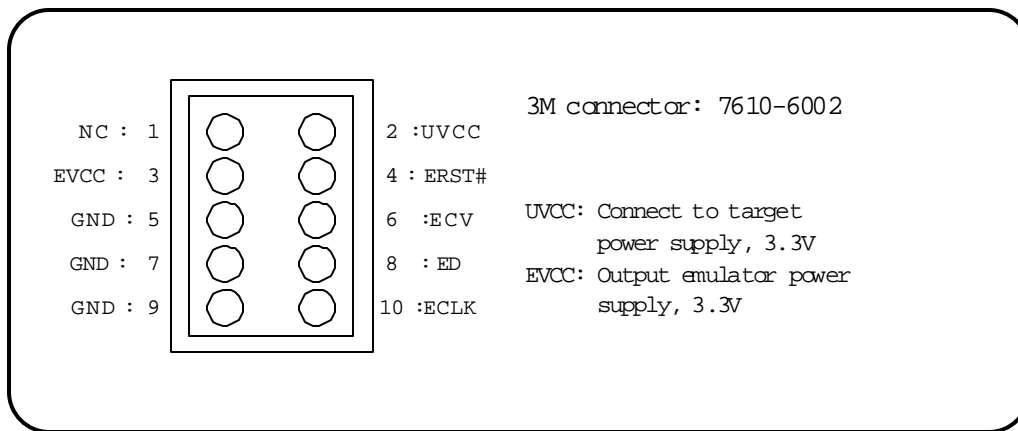


JTAG CABLE types:
EJP5000

Supported Tool Chains:

- Watchpoint supports the following compilers:
- Fujitsu: SOFTUNE V5, V6 REALOS
 - Ax : axLinux gcc
 - Redhat: uClinux gcc

Target ICE Connections



10-pin DSU connector pin assignment(Top View)

Ordering Information

CUSTOMER should PERPARE		Necessary items for Debugger System			Options
HOST PC	CONNECT WITH PC	JTAG EMULATOR (Hardware)	WATCHPOINT Debugger (software)	SUPPORT SERVICE (Software updates)	Optional SOFTWARE
DOS/V & NOTE PC (IBM PC/AT & COMPATIBLE MACHINE)	USB2.0/1.1 CONNECTION	SCD001 EJ-SCT	SCMOXXXE WP DBG for EJS FR-V	SSS001 Sophia Support Service	U4A401 WP4ARMETB *Necessary for ETB trace

System requirements for Watchpoint® Debugger:

OS: Windows98/Me/2000/XP

Memory: 32 Mbyte (64 Mbyte recommended)

Hard Disk: 20 Mbyte for installation

Watchpoint is a registered trademark of Sophia Systems Co., Ltd.

Windows is a registered trademark of Microsoft Corporation.

All other brands and product names are trademarks or registered trademarks of their respective companies. All configurations are subject to change without notice.



Sophia Systems Co., Ltd.

URL: <http://www.sophia-systems.com>