



## **EJ-Debug II for ARM9**



- ❑ Supports ARM licensed ARM9®
- ❑ Supports ARM 's Multi-ICE interface
- ❑ ARM®/Thumb® state debugging supported
- ❑ 2 hardware breakpoints can be set for address and status conditions
- ❑ Unlimited software breakpoints (can be set for RAM and Flash ROM)
- ❑ Supports the semi-hosting capability
- ❑ Download to Flash Memory capability
- ❑ Useful for field debugging or maintenance
  - Powered by USB bus(No AC adapter required)
  - Small size(86mm X 101mm X 23mm)
- ❑ Auto-script execution by BATCH button on the hardware unit
  - perfect use in auto-verification of the target on mass production or for updating new versions
- ❑ USB 2.0 host interfaces for high-speed communication with host computer
- ❑ Sophia's high-level language debugger, Watchpoint®, is included with all Sophia Systems emulators (Windows®2000/XP/Vista\*1 platforms)

### **Specifications**

<b>Target CPU</b>	ARM9 core series(ARM9TDMI, ARM9TDMI-S, ARM910T, ARM920T, ARM940T, ARM9E, ARM946E, ARM966E, ARM922, ARM925, ARM926, and so on)
<b>Target Vcc</b>	Vcc= +1.8 V to 3.6 V
<b>Memory and I/O</b>	Entire space is available to user
<b>Interrupts</b>	Both internal and external interrupts are available to user
<b>Breakpoints and Break Options</b>	<p>Execution address break options:</p> <ul style="list-style-type: none"> <li>• 2 hardware breakpoints</li> <li>• Unlimited software breakpoints</li> </ul> <p>Execution instruction address, memory access, data break can be specified.</p> <p>Other break options:</p> <ul style="list-style-type: none"> <li>▪ Forced break from Debug Monitor</li> </ul> <p><u>Note 1:</u> When the Software Breakpoint, Step Over, Step Out, Come to function is in use, release 1 hardware breakpoint.</p>
<b>Flash Memory</b>	Download to target external Flash memory

# Configuration

The EJ-Debug II for ARM9 provides a high level of software debugging from your PC/AT or notebook computer.

## Hardware

A EJ-Debug II for ARM9 system consists of the ARM9 Probe Set with USB host interface.  
(EJ-Debug II for ARM9 can not be used for other CPUs)

## Software

Watchpoint®, a high-level language debugger for Windows®2000/XP/Vista\*<sup>1</sup>, is included with the EJ-Debug II for ARM9.

## Media:

CD-ROM

## Supported Tool Chains:

Watchpoint supports the following compilers and supported OS:

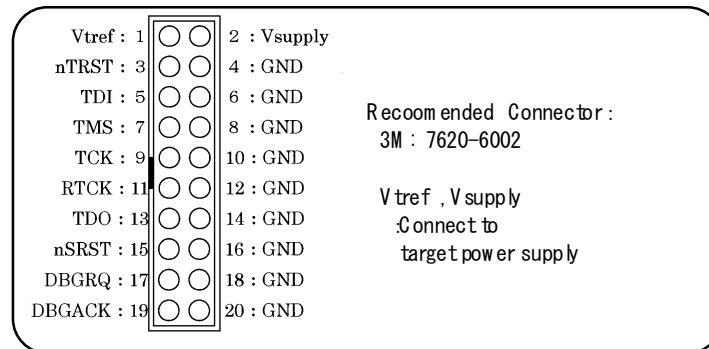
### Compiler:

ARM:	ADS, SDT, RealView
Metaware:	High C/C++/EC++ for ARM
Green Hills:	GHS
GAIO:	XCC-V
GNU:	
IAR:	EWARM

### Supported OS:

NORTI	G-OS	PrKERNEL
VxWorks	Linux	Other ITRON
Symbian OS	Windows CE	L4μ - kernel

# Target ICE Connections



Multi-ICE JTAG Header Connector Pin Assignment (Top View)

# Ordering Information

Part No.	Description
EJD7420E	Probe Set, EJ-Debug II for ARM9 with USB 2.0 host interface and Watchpoint® ARM9 debugger for Windows®2000/XP/Vista* <sup>1</sup>

## System requirements for Watchpoint® Debugger:

**OS:** Windows 2000/XP/Vista\*<sup>1</sup>      **Memory:** 64 Mbytes+ recommended  
**Hard Disk:** 25 Mbytes for installation

Notes:

- \* Vista (32-bit version): driver software update is required.
- \* Vista (64-bit version): not supported by current version of Watchpoint.
- \* XP (64-bit version): driver software update is required.
- \* XP (64-bit version): operation-confirmed only with AMD's Athlon64.

Watchpoint is a registered trademark of Sophia Systems Co., Ltd. ARM, Thumb, Multi-ICE, Embedded ICE, and ARM9TDMI are registered trademarks of ARM Limited. Windows is a registered trademark of Microsoft Corporation. All other brands and product names are trademarks or registered trademarks of their respective companies. All configurations are subject to change without notice.



Sophia Systems Co., Ltd.  
URL: <http://www.sophia-systems.com>